

It all hinges on excellence.

SIMONSWERK

TECTUS® Glass

Flush glass doors in the limelight



Index

TECTUS® Glass – The hinge system for glass doors

Models from 60 to 80 kg		
12	TEG 310 2D 60	60 kg For flush glass doors made of ESG 8 - 10 mm
13	TEG 310 2D 80	80 kg For flush glass doors made of ESG 8 - 10 mm

Fastenings and receivers		
14	TE 340 3D FZ	Fixing plate for glass doors with casing frames
15	TEG 310 2D SZ	Receiver for glass doors with steel frames

KEEP CLOSED – The latching system for glass and timber doors

KCH - KEEP CLOSED Handle		
16	KCH 1200	Handle for glass and timber doors
17	KCH 1700	Handle for glass and timber doors

KCM - KEEP CLOSED Magnet		
Closing magnets		
18	KCM 50	Closing magnet for a contactless and silent closing process of glass and timber doors
19	KCM 50/50	Two coordinated closing magnets for an improved contactless and silent closing process of timber doors
Magnetic plates		
20	KCM 50/G	Magnetic plate for glass doors
21	KCM 50/H	Magnetic plate for rebated and unrebated timber doors on block frames
22	KCM 50/H FZ	Magnetic plate for rebated and unrebated timber doors with casing frames

Fastenings		
23	KCM 50 FZ	Fixing plate for closing magnet on casing frames

Accessories		
24	KCM 01	Locking system for the passive leaf of glass doors with floor socket and stop at the active leaf
24	Adhesive kit KCM	For use with KCM 50/G
24	Cleaning cloth	For cleaning adhesive and clamping surfaces

25	Assembly	
----	-----------------	--

27	Service	
----	---------	--

TECTUS Glass – Maximum transparency and functionality

With the TECTUS Glass hardware system, SIMONSWERK has developed an attractive and functional all-round solution for the flush installation of glass doors. Glass door leaf, frame, hinge and latching system all lie in the same plane – the best prerequisite for minimalist design combined with maximum transparency. It means that generous glazing, used for example in offices or private homes to provide acoustic protection while offering a full view in and through, can maintain their aesthetic quality.



TECTUS® Glass – Flush hardware system for glass doors

The TECTUS Glass hardware system

The flush surface of the glass door leaf, frame, hinge and latching system create the perfect aesthetic design. The entire door displays a clear and consistent design. The TECTUS Glass full door hardware system – consisting of the TECTUS hinge system, the contactless and silent magnetic closure and coordinated, attractively shaped handle variants – enables the realisation of contemporary interior design concepts.

The hinge system

The TEG 310 2D hinge system gives glass doors an unprecedented transparency and lightness. And its delicate appearance does not rule out a high load capacity. Its unique material components and clamping technique mean that the hinge system can support up to 80 kg per pair and guarantees a perfect door fit that's made to last.

The magnetic closure

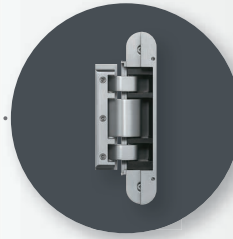
The KCM 50 closing magnet paired with the KCM 50/G magnetic plate on the door itself make sure the door closes silently and without contact in a process that can be individually tailored to produce the desired closing behaviour.

The handles

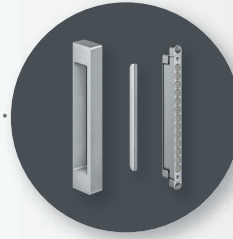
The handle variants are matched in shape and colour to the hinge system TECTUS Glass and are ergonomically designed for comfortable handling.

Product features

- glass door leaf, frame, hinge and latching system all lie in the same plane
- interior fittings for high-quality residential and commercial projects
- load capacity of up to 80 kg for dimensions of approx. 10 x 1300 x 2500 mm
- for timber, steel and aluminium frames
- opening angle up to 180°



The hinge system TECTUS Glass enables the flush installation of door and frame



The KEEP CLOSED magnetic latching system ensures maximum transparency with its reduced components.

The TECTUS Glass hardware system



Hinge system
TEG 310 2D



Handle
KCH 1700



Magnetic plate
KCM 50/G



Closing magnet
KCM 50

TECTUS® Glass – elegant details and technical Precision

The hinge system TEG 310 2D

Minimalist hinge dimensions ensure maximum transparency for glass doors – at the same time as providing a load capacity of up to 80 kg per pair. This corresponds to a glass door with dimensions of approx. 10 x 1300 x 2500 mm. The TECTUS Glass hinge system can be used for ESG glass thicknesses of 8 - 10-mm. Since no glass machining is required on the door when using TECTUS Glass, the glass doors can be used both right/left and top/bottom.

The hinge body

The cast stainless steel receiver supports the door leaf and ensures the glass pane sits perfectly and securely in place. The solid hinge kinematics ensure reliable and durable functionality. This has been tested in performance tests by IFT Rosenheim, Germany. The correct door position is easily and flexibly set thanks to the floating clamping mechanism. It is then fastened securely in place by tightening the clamping screws. In addition to this, the lateral adjustment in the hinge is easy to regulate to ensure uniform clearance to the frame.

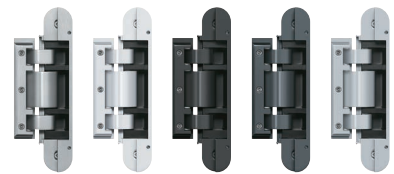
Product features

- load capacity of up to 80 kg
- stable hinge kinematics
- hinge body made of die cast stainless steel
- tested suitability for heavy-duty use
- quick and easy installation with no glass machining
- performance tested by IFT, Rosenheim

Available options

- Load capacity up to 60 kg – TEG 310 2D 60
- Load capacity up to 80 kg – TEG 310 2D 80

Finish options – hinge system



For details see product pages



Hinge system TEG 310 2D – closed



TEG 310 2D
up to 80 kg

KEEP CLOSED – elegant closure components complete the hardware system

The magnetic latching system

KEEP CLOSED, the innovative, zero-current magnetic closure from SIMONSWERK, offers an intelligent alternative to a conventional latching mechanism. Comprising of a closing magnet, magnetic plate, and coordinating handle, this impressive hardware system with its minimalist design also offers exceptional ease of use.

The closing magnet

The KCM 50 closing magnet in the frame works silently and without contact or current. The durable, reliable closure can be customised to satisfy individual requirements

The magnetic plate

The KCM 50/G magnetic plate is permanently bonded to the main closing edge of the glass door, where it is barely visible.

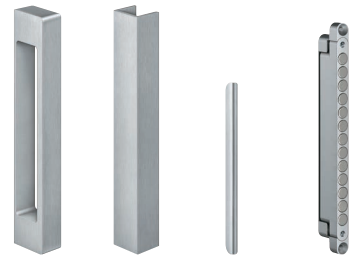
The handle

The KCH 1700 and KCH 1200 handles add the perfect finishing touch to the appearance of the glass door. The handle is attached simply and securely by means of a positioning template and the adhesive strip already on the handle, so no glass machining is required.

Product features

- silent, contactless, zero current
- permanently wear-free function
- quick and easy installation with no glass machining
- choice of handles finishes matched to the hinge system

Magnetic closure



Handle	Magnetic plate	Closing magnet
KCH 1700	KCH 1200	KCM 50/G
		KCM 50

Available finishes – handle



For details see product pages



Magnetic closure with handle options

The closing magnet

KCM 50

The magnetic plate

KCM 50/G

The handle

KCH 1700



SIMONSWERK developed its magnetic closure with the specifications for use with timber interior doors in mind. Current-free, silent, low wear and reliable, its technical features alone are impressive in every respect. But the most striking aspect of the magnetic closure is the unprecedented ease of use when opening and closing.

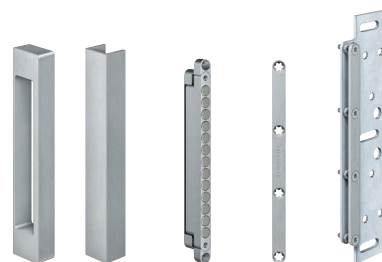
Silent opening and closing

It has never been so easy to open and close timber interior doors without making a sound. Without the usual “push–pull–slide” motion, doors can be opened silently and ergonomically, with minimal effort, too. The door is held in the closed position without the need for direct contact with the patented closing magnet. The holding power can be individually adjusted and holds the door securely in its end position.

Groundbreaking interaction

Combined with the KCM 50/H magnetic plate, the KCM 50 closing magnet is the perfect choice for timber block frames and casing frames and can be used with both rebated and flush doors. And multiple magnets can be used for extra-tall doors. The elegant KCH 1700 and KCH 1200 handles do not require the wood to be milled. The handle is attached simply, solidly and securely by means of a positioning template and the adhesive strip already on the handle.

Magnetic latching system for timber doors

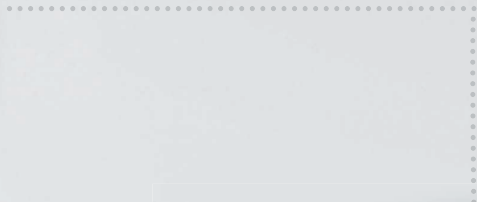
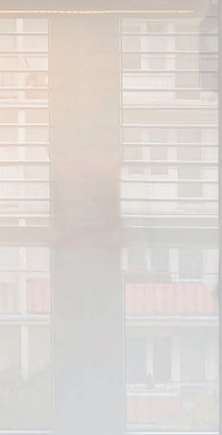
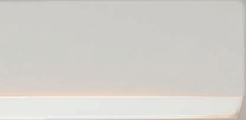


Handle		Closing magnet	Magnetic plate
KCH 1700	KCH 1200	KCM 50	KCM 50/H und KCM 50/H FZ

Available finishes – handle



For details see product pages



TECTUS®

TEG 310 2D 60

for flush glass doors made of ESG 8 - 10 mm

hinge

up to 60 kg

Product features

- for flush glass doors
- for ESG glass thicknesses 8 - 10 mm
- without drilling the door leaf
- for timber, steel and aluminium frames
- continuous side adjustment (+ 3.0/- 2.0 mm)
- continuous height adjustment with additional fine tune adjustment (+/- 1.0 mm)
- tested for interior rooms up to 50 °C ambient temperature
- maintenance-free slide bearings

Technical details

load capacity	i two hinges per door (1x2 m)	60.0 kg
overall length		160.0 mm
width (frame part)		28.0 mm
cutter diameter		24.0 mm
opening angle		180°
rebate width		11 - 15 mm

Finishes

Satin Stainless Steel (040), RAL 9016 Matte Traffic White (057), Matte Pure Grey/NCS S 8000-N (301), RAL 9005 Matte Black (107), Satin Chrome Look (F1) (124)

Combination

receiver	casing frame	TE 340 3D FZ
	steel frame	TEG 310 2D SZ

Installation tools

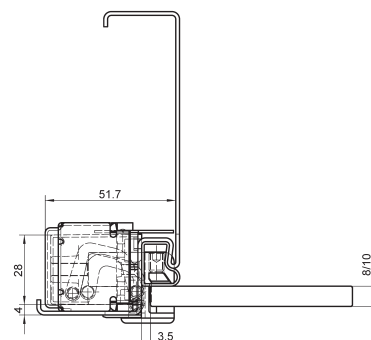
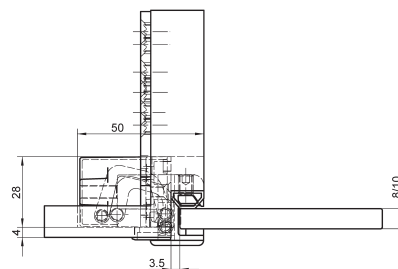
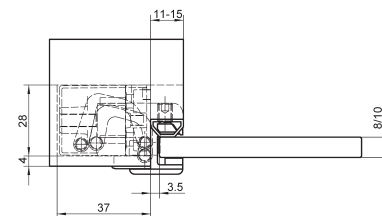
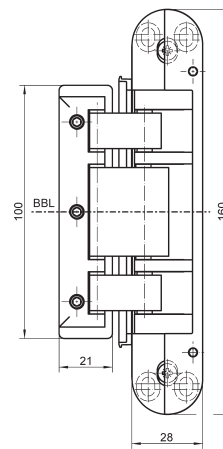
jig		universal milling frame
step 1	template	No. 5 251145 5
step 2	template	No. 5 251146 5
step 3	template	No. 5 251147 5

Detailed information in our PRODUCTSELECTOR at www.simonswerk.com

Note

i he load capacity mentioned above refers to the use of two hinges per door leaf (1x2 m).

With an opening position of 180° the door may have to be fixed additionally.



TECTUS®

TEG 310 2D 80

for flush glass doors made of ESG 8 - 10 mm

hinge	up to 80 kg
--------------	--------------------

Product features

- for flush glass doors
- for ESG glass thicknesses 8 - 10 mm
- without drilling the door leaf
- for timber, steel and aluminium frames
- continuous side adjustment (+ 3.0/- 2.0 mm)
- continuous height adjustment with additional fine tune adjustment (+/- 1.0 mm)
- tested for interior rooms up to 50 °C ambient temperature
- maintenance-free slide bearings

Technical details

load capacity	i two hinges per door (1x2 m)	80.0 kg
overall length		160.0 mm
width (frame part)		28.0 mm
cutter diameter		24.0 mm
opening angle		180°
rebate width		11 - 15 mm

Finishes

Satin Stainless Steel (040), RAL 9016 Matte Traffic White (057), Matte Pure Grey/NCS S 8000-N (301), RAL 9005 Matte Black (107), Satin Chrome Look (F1) (124)

Combination

receiver	casing frame	TE 340 3D FZ
	steel frame	TEG 310 2D SZ

Installation tools

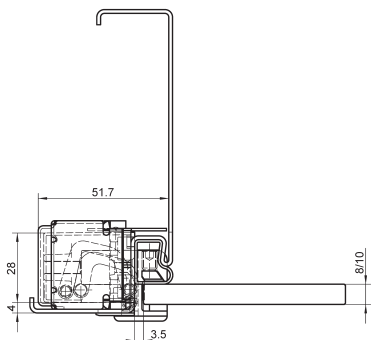
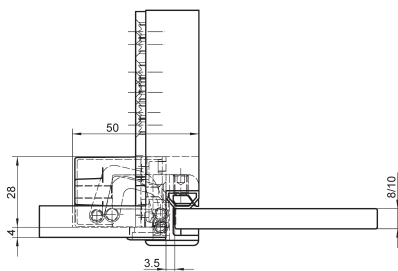
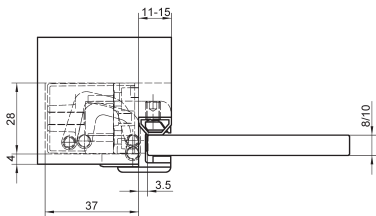
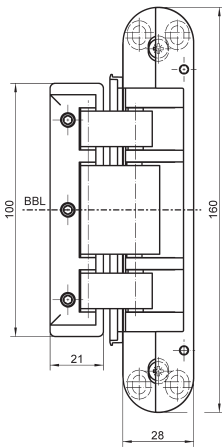
jig		universal milling frame
step 1	template	No. 5 251145 5
step 2	template	No. 5 251146 5
step 3	template	No. 5 251147 5

Detailed information in our PRODUCTSELECTOR at www.simonswerk.com

Note

i The load capacity mentioned above refers to the use of two hinges per door leaf (1x2 m).

With an opening position of 180° the door may have to be fixed additionally.



TECTUS®

Fixing plate TE 340 3D FZ

fixing plate for glass doors on casing frames

receiver		casing frame
-----------------	--	---------------------

Finishes

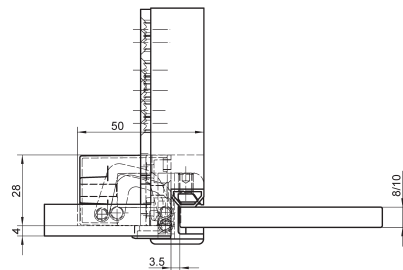
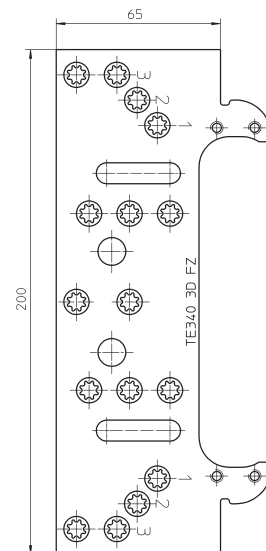
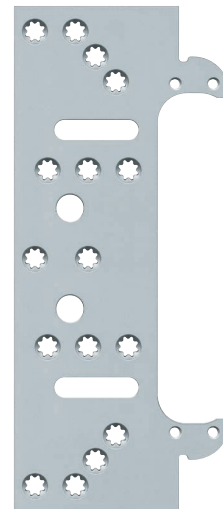
blue galvanized (010)

Combination

hinge	TEG 310 2D 60
	TEG 310 2D 80

Note

Delivery includes packers for casing thicknesses of 22–28 mm.



TECTUS®

Receiver TEG 310 2D SZ

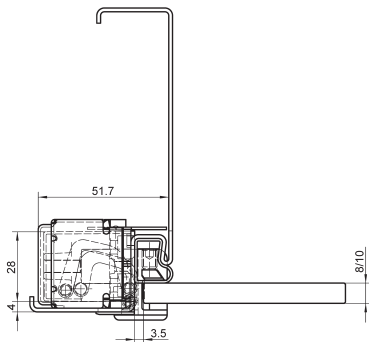
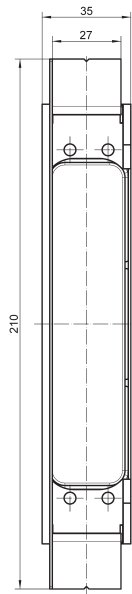
for glass doors on steel frames



receiver		steel frame
-----------------	--	--------------------

Finishes
blue galvanized (010)

Combination		
hinge		TEG 310 2D 60
		TEG 310 2D 80



TECTUS®

KCH 1200

handle for glass and timber doors

handle

Product features

- for glass and timber doors
- without drilling the door leaf
- self-adhesive fixing

Technical details

overall length	200.0 mm
width	30.0 mm
depth	35.0 mm

Finishes

Stainless Steel Effect (1.30)

Combination

magnetic closure	KCM 50
	KCM 50/50
	KCM 50/G
	KCM 50/H
	KCM 50/H FZ

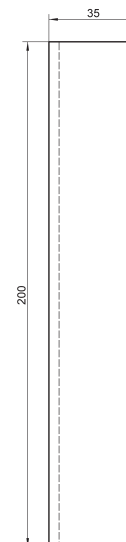
Note

Particularly suitable for use on glass doors in combination with TEG 310 2D.

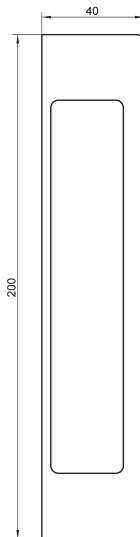
Set consisting of 2 handles.

An adhesive tape for permanent fixing is applied at the factory.

Delivery includes a positioning template.



TECTUS®



KCH 1700

handle for glass and timber doors

handle

Product features

- for glass and timber doors
- without drilling the door leaf
- self-adhesive fixing

Technical details

overall length	200.0 mm
width	26.0 mm
height	40.0 mm

Finishes

Stainless Steel Effect (130)), RAL 9016 Matte Traffic White (057), Matte Pure Grey/NCS S 8000-N (301), RAL 9005 Matte Black (107), Satin Chrome Look (F1) (124)

Combination

magnetic closure	KCM 50
	KCM 50/50
	KCM 50/G
	KCM 50/H
	KCM 50/H FZ

Note

Particularly suitable for use on glass doors in combination with TEG 310 2D.

Set consisting of 2 handles.

An adhesive tape for permanent fixing is applied at the factory.

Delivery includes a positioning template.

TECTUS®

KCM 50

closing magnet for a contactless and silent closing process of glass and timber doors

magnetic closure

closing magnet

Product features

- continuous adjustable retention force up to 50 N
- for use in timber, steel and aluminium frames

Technical details

overall length	195.0 mm
width	13.0 mm
cutter diameter	12.0 mm

Finishes

Stainless Steel Effect (130)

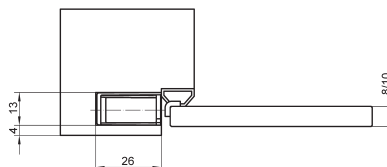
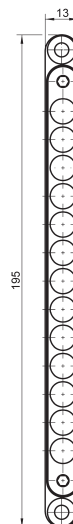
Combination

receiver	casing frame	KCM 50 FZ
magnetic closure		KCM 50/G
		KCM 50/H
		KCM 50/H FZ
handle		KCH 1200
		KCH 1700

Installation tools

jig		universal milling frame
step 1	template	No. 5 251148 5
step 2	template	No. 5 251149 5

Detailed information in our PRODUCTSELECTOR at www.simonswerk.com



TECTUS®

KCM 50/50

two coordinated closing magnets for an improved contactless and silent closing process of timber doors



magnetic closure		closing magnet
-------------------------	--	-----------------------

Product features

- increased closing power means the two magnets can be further apart
- continuous adjustable retention force up to 120 N
- for use in timber, steel and aluminium frames

Technical details

overall length	195.0 mm
width	13.0 mm
cutter diameter	12.0 mm

Finishes

Stainless Steel Effect (130)

Combination

receiver	casing frame	KCM 50 FZ
handle		KCH 1200 KCH 1700

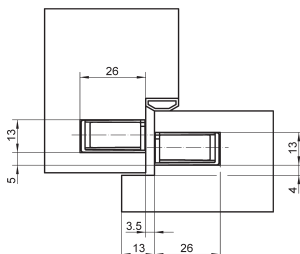
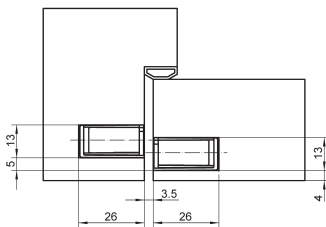
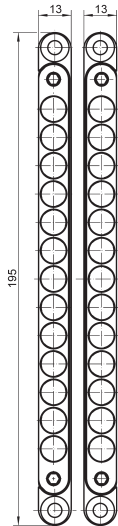
Installation tools

jig		universal milling frame
step 1	template	No. 5 251148 5
step 2	template	No. 5 251149 5

Detailed information in our PRODUCTSELECTOR at www.simonswerk.com

Note

The offset arrangement of the magnets provides the necessary seal pressure for the door.



TECTUS®

KCM 50/G

magnetic plate for glass doors

magnetic closure

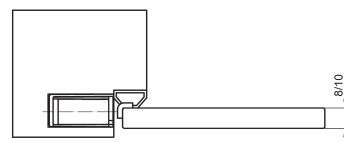
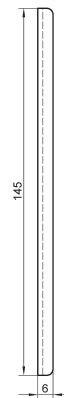
magnetic plate

Finishes

Satin Stainless Steel (040)

Combination

magnetic closure	KCM 50
handle	KCH 1200 KCH 1700
accessories	adhesive kit KCM



TECTUS®

KCM 50/H

magnetic plate for rebated and unrebated timber doors on block frames

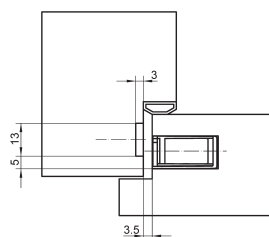
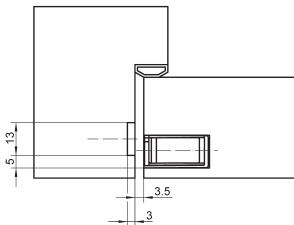
magnetic closure	block frame	magnetic plate
-------------------------	--------------------	-----------------------

Finishes

Satin Stainless Steel (040)

Combination

magnetic closure	KCM 50
handle	KCH 1200
	KCH 1700



TECTUS®

KCM 50/H FZ

magnetic plate for rebated and unrebated timber doors with casing frames

magnetic closure	casing frame	magnetic plate
------------------	--------------	----------------

Product features

- infinite adjustment for different casing frame constructions

Finishes

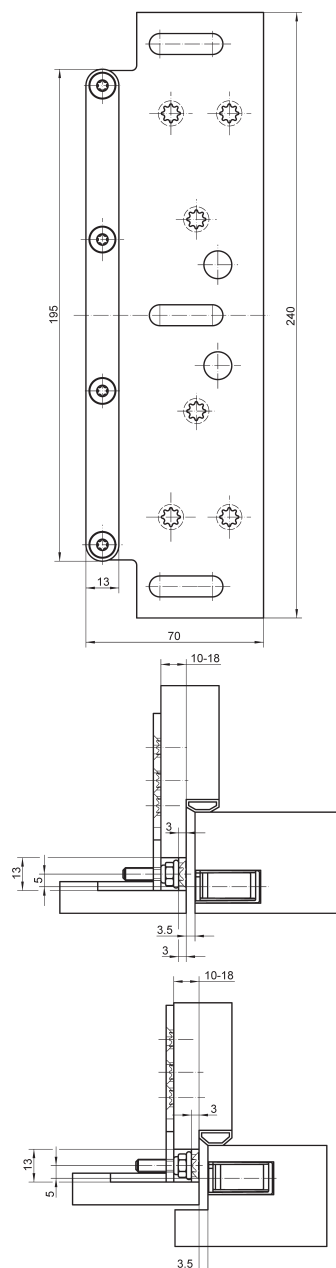
Satin Stainless Steel (040)

Combination

magnetic closure	KCM 50
handle	KCH 1200
	KCH 1700

Note

In order to prevent warpage of the frame by the magnetic force, a sufficient mechanical fixing must be provided.



TECTUS®

KCM 50 FZ

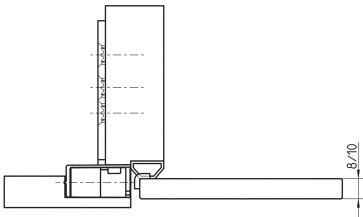
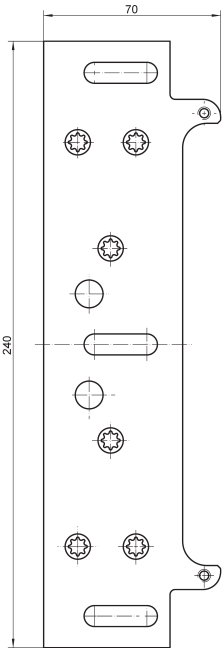
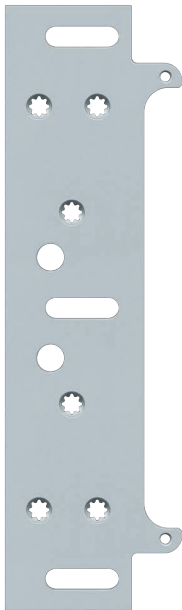
fixing plate for closing magnet on casing frames

receiver		casing frame
-----------------	--	---------------------

Finishes
blue galvanized (010)

Combination		KCM 50
magnetic closure		KCM 50/50

Note
In order to prevent warpage of the frame by the magnetic force, a sufficient mechanical fixing must be provided.
Delivery includes packers for casing thicknesses of 22–28 mm.



TECTUS®

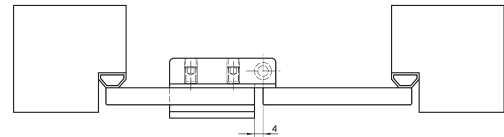
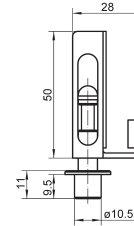
KCM 01

locking system for the passive leaf of glass doors with floor socket and stop at the active leaf

accessories	
Product features	
<ul style="list-style-type: none"> for ESG glass thicknesses 8 - 10 mm clamp fitting, without drilling the glass 	
Technical details	
overall length	50.0 mm
width	50.0 mm

Finishes
Stainless Steel Look (126), RAL 9005 Matte Black (107)

Note
Please consider DIN reference.



Adhesive kit KCM

for fixing KCM 50/G

accessories	
Combination	
magnetic closure	KCM 50/G

Note
The amount of adhesive is sufficient for at least 10 magnetic plates.



Cleaning cloth

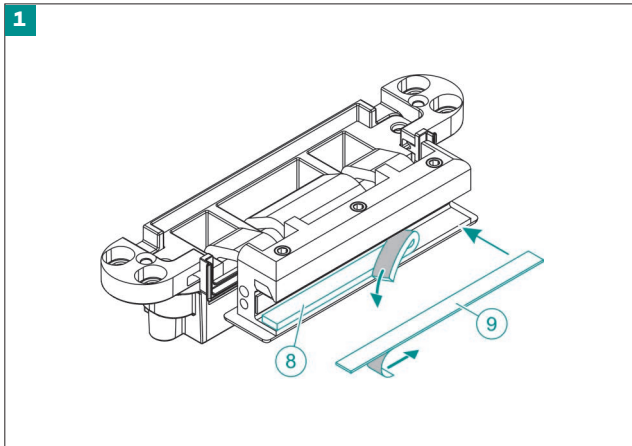
for cleaning adhesive and clamping surfaces

accessories	
Combination	
hinge	TEG 310 2D 60 TEG 310 2D 80
magnetic closure	KCM 50/G

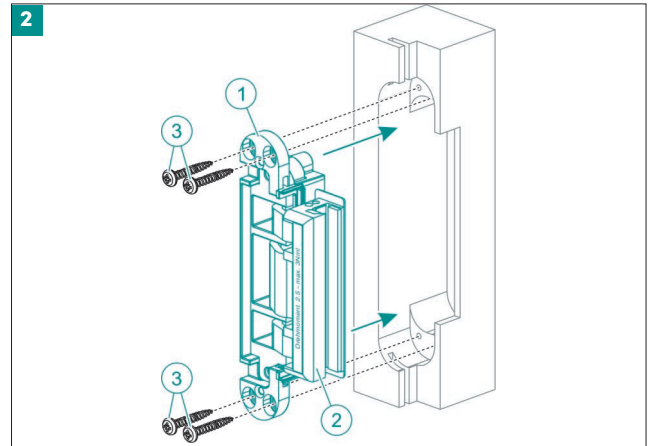


TECTUS®

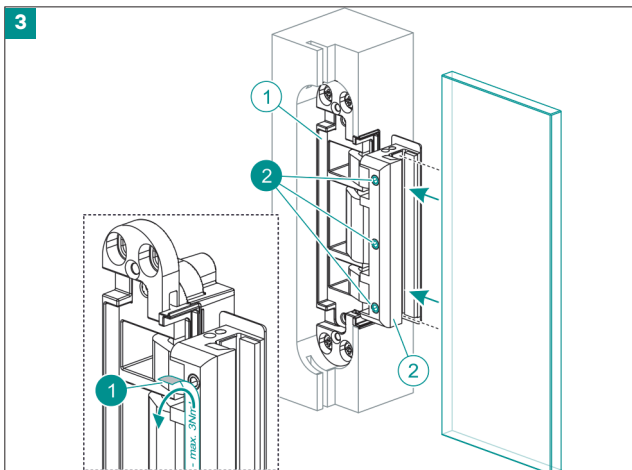
TEG 310 2D



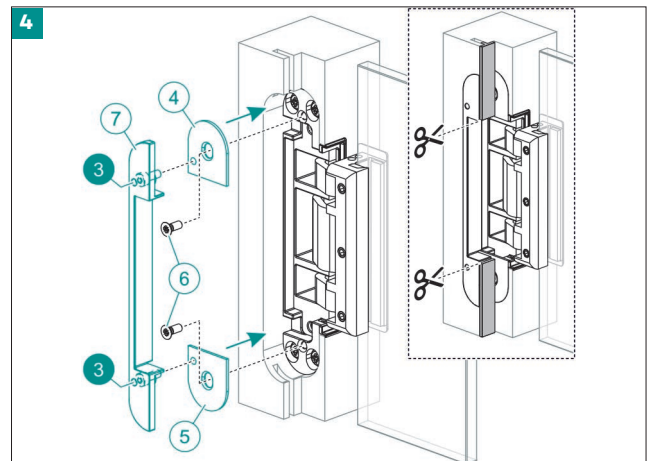
The hinge is pre-assembled for 8 mm thick door leaves. For 10 mm thick door leaves, remove the intermediate layer ⑧ without leaving residue and glue in the intermediate layer ⑨.



Place the hinge frame part ① in the door frame, pre-drill the door frame and fasten the hinge frame part with the four screws ③ (4.5x30 mm).



Remove the sticker ①. The clamping area must be clean and free of grease. Feed the door leaf into the hinge frame part ② as far as it will go, align in height and tighten with the three screws ② (4.5 to 5 Nm). Make sure there is sufficient floor clearance!



Fasten the cover plates ④ and ⑤ to the hinge with the screws ⑥. Fasten the rebate cover ⑦ with the two screws ③ flush to the frame on the cover plates. Cut the door seal to size.

TECTUS®

TEG 310 2D

Two-dimensionally, continuously adjustable

side	+ 3.0 / - 2.0 mm
height	+/- 1.0 mm

Side adjustment

- adjust the adjusting spindles evenly with an Allen wrench

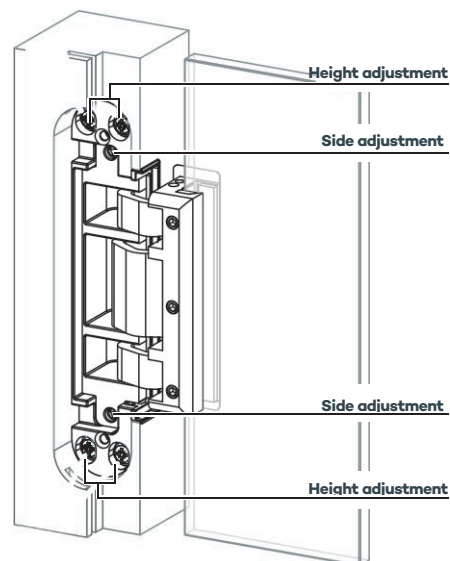
Height adjustment

- position wedges under the door
- slightly loosen the clamping screws
- move the door leaf into the correct position
- firmly retighten the clamping screws

Note

A further height adjustment is possible by repositioning the door leaf in the clamp.

All adjustments to be conducted by means of a 4 mm Allen wrench.



Service – comprehensive expertise for your daily work

We are happy to provide you with all the documentation you need to calculate which is the most suitable hinge system for your requirements. Please contact us: we would be delighted to work with you to choose the best solution – from high-quality standard sets right up to the most complex solutions.

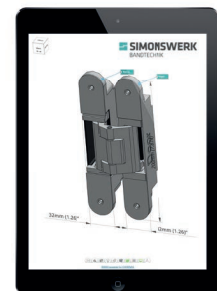
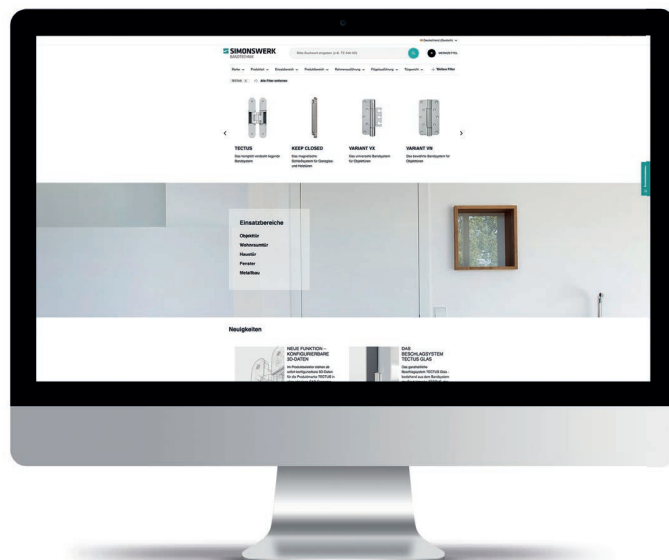
Please visit our home page for any information not included in this brochure. You will find it easy to navigate through our user-friendly website to arrive at the detailed, comprehensive solutions.

For further questions, please contact us, we will be happy to help and advise you.

www.simonswerk.com

Visit our PRODUCTSELECTOR

Whether you are a manufacturer, trade partner or designer, at www.simonswerk.com you can find precise, detailed product descriptions that will help you to choose the most suitable hinge systems.



SIMONSWERK

TECTUS® Glass

Flush glass doors in the limelight

SIMONSWERK GmbH

Bosfelder Weg 5
33378 Rheda-Wiedenbrück
Germany

+49 5242 4130

info@simonswerk.de

www.simonswerk.com

Member of the

**SIMONSWERK
GROUP**

© SIMONSWERK GmbH
03/2023, 5 80056 0 00001/L10
Subject to technical modifications.

